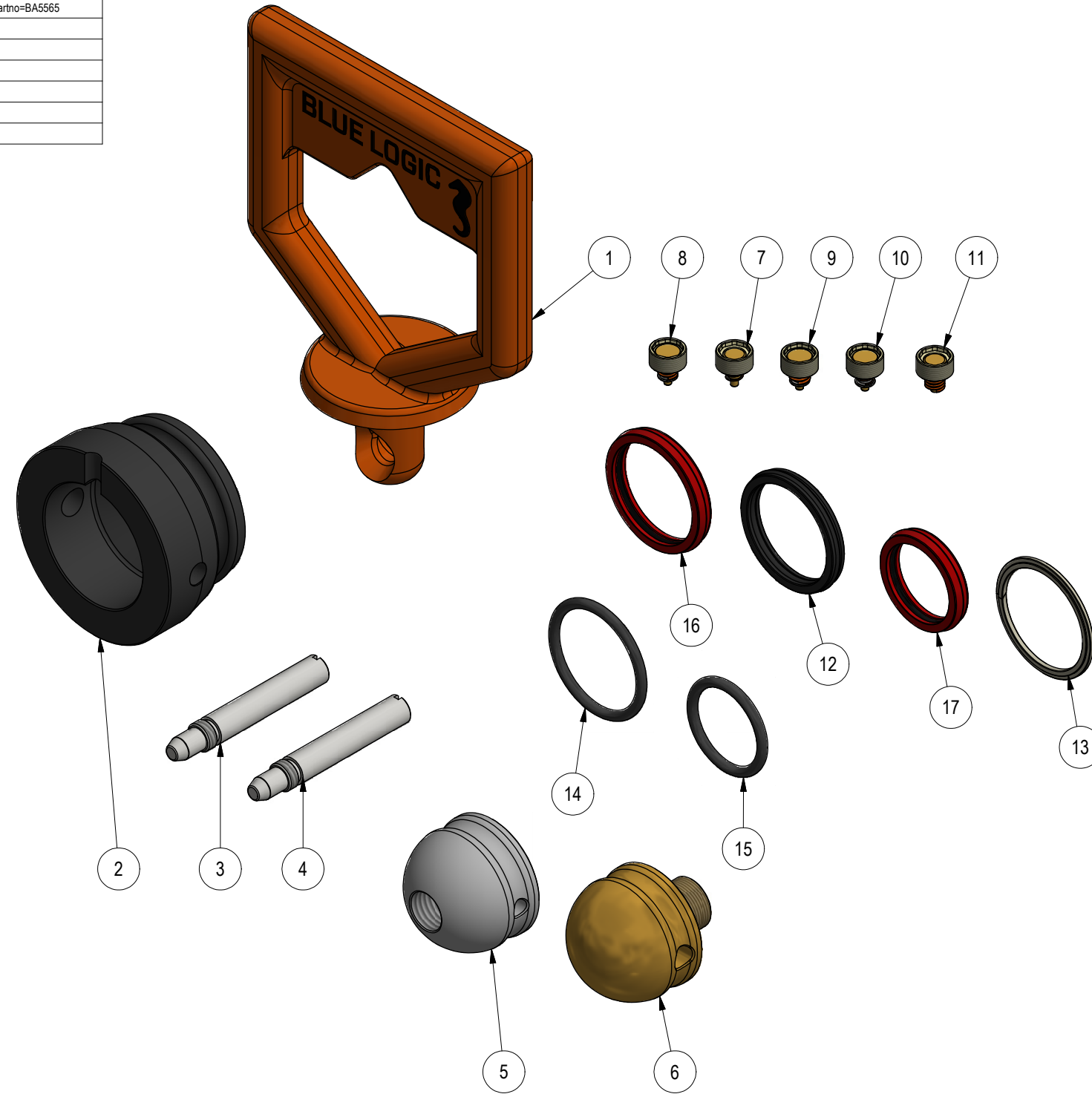


Parts List				
ITEM	QTY	PART No.	TITLE	WEBLINK
1	1	PA0049	D-Handle	http://e-sea.bluelogic.no/main.aspx?page=article&artno=PA0049
2	1	PA0050	Flex Element	http://e-sea.bluelogic.no/main.aspx?page=article&artno=PA0050
3	1	PA0051	Lock Bolt For Flex Handle	http://e-sea.bluelogic.no/main.aspx?page=article&artno=PA0051
4	1	BA1581	Lock Bolt For Flex Handle SD.	http://e-sea.bluelogic.no/main.aspx?page=article&artno=BA1581
5	1	BA6325	Nose Ø43 SP Stab Long-term Short Version	http://e-sea.bluelogic.no/main.aspx?page=article&artno=BA6325
6	1	BA6323	Nose Ø43 SP Stab Short Version	http://e-sea.bluelogic.no/main.aspx?page=article&artno=BA6323
7	1	PA0184	One Way Check Valve Inlet 0,5Bar	http://e-sea.bluelogic.no/main.aspx?page=article&artno=PA0184
8	1	PA0179	One Way Check Valve Outlet 2Bar	http://e-sea.bluelogic.no/main.aspx?page=article&artno=PA0179
9	1	BA2244	One Way Check Valve Outlet 6Bar	http://e-sea.bluelogic.no/main.aspx?page=article&artno=BA2244
10	1	BA5567	One Way Check Valve Outlet 0,5Bar	http://e-sea.bluelogic.no/main.aspx?page=article&artno=BA5567
11	1	BA5565	One Way check Valve Inlet 2Bar	http://e-sea.bluelogic.no/main.aspx?page=article&artno=BA5565
12	1	100962	Stab Seal	
13	1	100961	Back Up Ring	
14	1	100172	O-Ring	
15	1	100165	O-Ring	
16	1	100115	Stab Seal	
17	1	100110	Stab Seal	



NOTE: 1
DESIGN CODE:
API 17H Type 1 & 2

NOTE: 2
TECHNICAL CLASSIFICATION:
Article Type: 001-Hot Stabs
Main Group: 1.00. Misc Hot Stab
Intermediate Group: 1.51.09. Spares
Sub Group: 1.51.152.05. Service Parts

NOTE: 3
INTERFACE INFORMATION:
Pressure Rating Bar: N/A
Design Water Depth: N/A
Material: N/A
Weight: 1,4 kg
Volume: 0,28 dm³
Submerged Weight: 1,12 kg
Surface Area: 858 cm²
Hydraulic: N/A
Mechanical: N/A
Electrical: N/A
Com. & Protocol: N/A

NOTE: 4
ADDITIONAL INFORMATION:
List of parts that can be maintained by certified personel, during service.

NOTE 5
One Way Check Valves recommended to be replaced at Blue Logic AS. Blue Logic AS cannot guarantee correct functionality of the check valves if replacement is performed by customer. Blue Logic Warranty is no longer valid should check valves be replaced by customer within warranty period.



Rev.	Date	Reason for issue	Revision change	Made	Chk'd	Appr.
02	8.12.2020	9-IFU (Issued for Use)		HNJ	EKJ	HNJ
01	26.6.2014	9-IFU (Issued for Use)		WTJ	HNJ	WTJ



Dwg Scale:	NTS
Dwg Proj:	
Dwg Format:	A3

Drawing title:	Ø35/Ø43 Stab Service Part Overview	
Drawing number:	BA5290	Rev 02